



HUBER+SUHNER® PLANAR ANTENNA FOR WIRELESS COMMUNICATION



SPA 2000/80/8/0/V

Technical Data

Electrical Properties

Frequency range	1710 - 2170 MHz
Impedance	50 Ω
VSWR	1.8
Polarization	linear, vertical
Gain	8.0 dBi
3 dB beamwidth horizontal	80°
3 dB beamwidth vertical	75°
Downtilt	0°
Front to back ratio	18 dB
Max. power	75 W (CW) at 25°C

Mechanical Properties

Dimensions	101 x 80 x 20 mm (3.97" x 3.15" x 0.79")
Weight	0.13 kg (0.29 lbs.)
Radome material	ASA
Radome color	RAL 7035 (light grey)
Operating temperature range	- 40°C to + 80°C
Storage temperature range	- 40°C to + 80°C
Windload	15 N at 160km/h (100mph)

Available Types

Available Types	Article no.	
1320.19.0001	23005585	SMA female
1320.26.0001	23005586	TNC female
1320.99.0001	23036082	TNC female pigtail (RG 58 C/U, 0.3 m)

Mounting Hardware

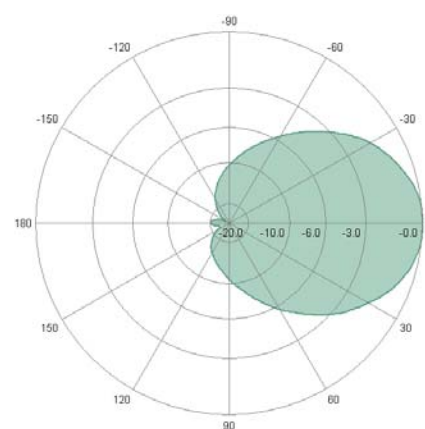
Mounting Hardware	Article no.	
9091.99.0191	84011560	Optional wall mounting bracket for railway applications.

Wall and mast mounting bracket (1 metal band) included, mast diameter 40-60 mm (1.57" – 2.36")

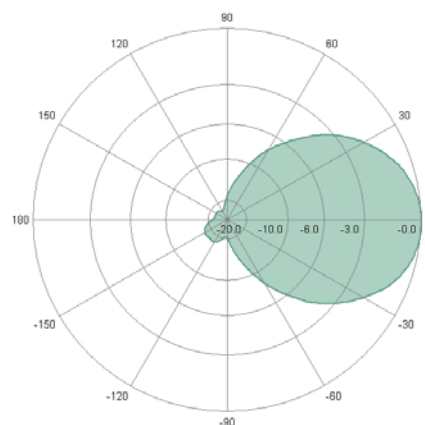
Documents

01.02.0777	security instruction
01.02.1033	mounting instruction
01.02.1111	mounting instruction (9091.99.0191)

Radiation Pattern



horizontal



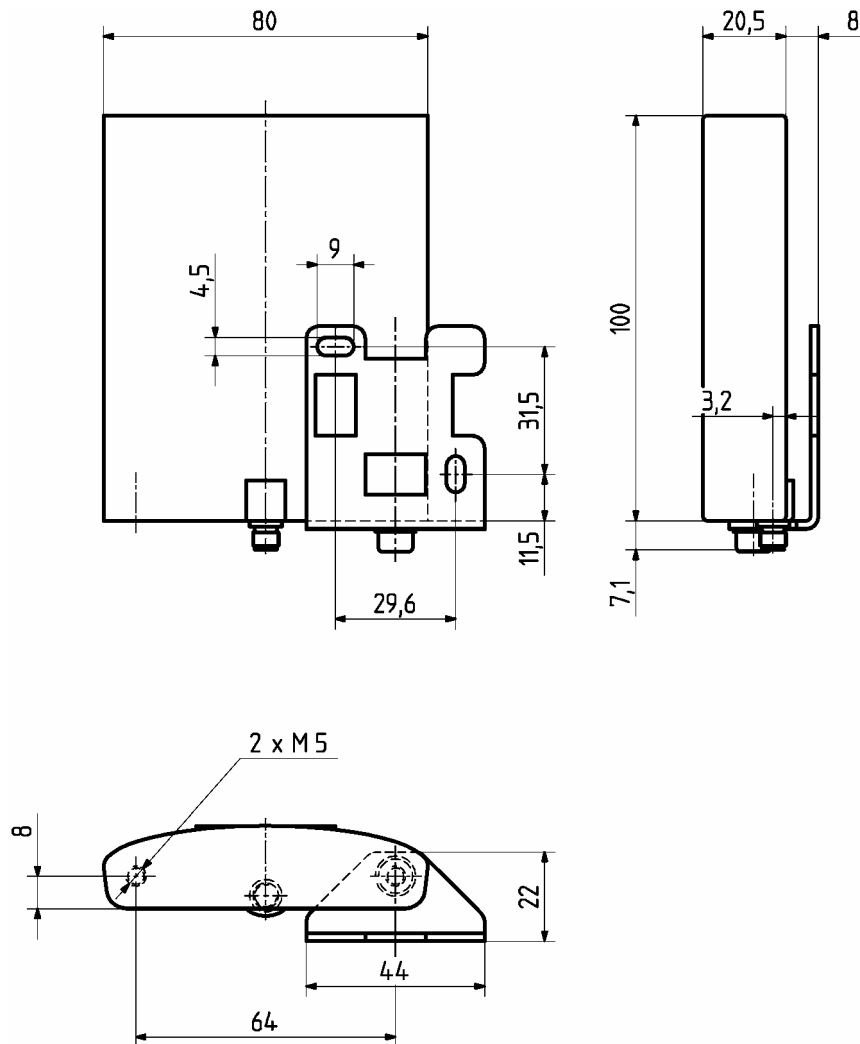
vertical



HUBER+SUHNER® PLANAR ANTENNA FOR WIRELESS COMMUNICATION

SPA 2000/80/8/0/V

Dimensions (mm)



HUBER+SUHNER group is certified according to ISO 9001 and ISO 14001.

WAIVER!

While the information contained has been carefully compiled to the best of our present knowledge, it is not intended as representation or warranty of any kind on our part regarding the fitness of the products concerned for any particular use or purpose and neither shall any statement contained herein be construed as a recommendation to infringe any industrial property rights or as a license to use any such rights. The fitness of each product for any particular purpose must be checked beforehand with our specialists.



HUBER+SUHNER AG
RF Technology
RF Communication
CH-9100 Herisau, Switzerland
Tel.: +41 71 353 41 11
Fax: +41 71 353 47 51
www.hubersuhner.com

Document no.: 01.02.0859
Issue no.: 8
Supersedes: 01.2005

Uncontrolled Copy

Issued/Checked/Released: 4159/4656/01.2005
Last amended: 4159